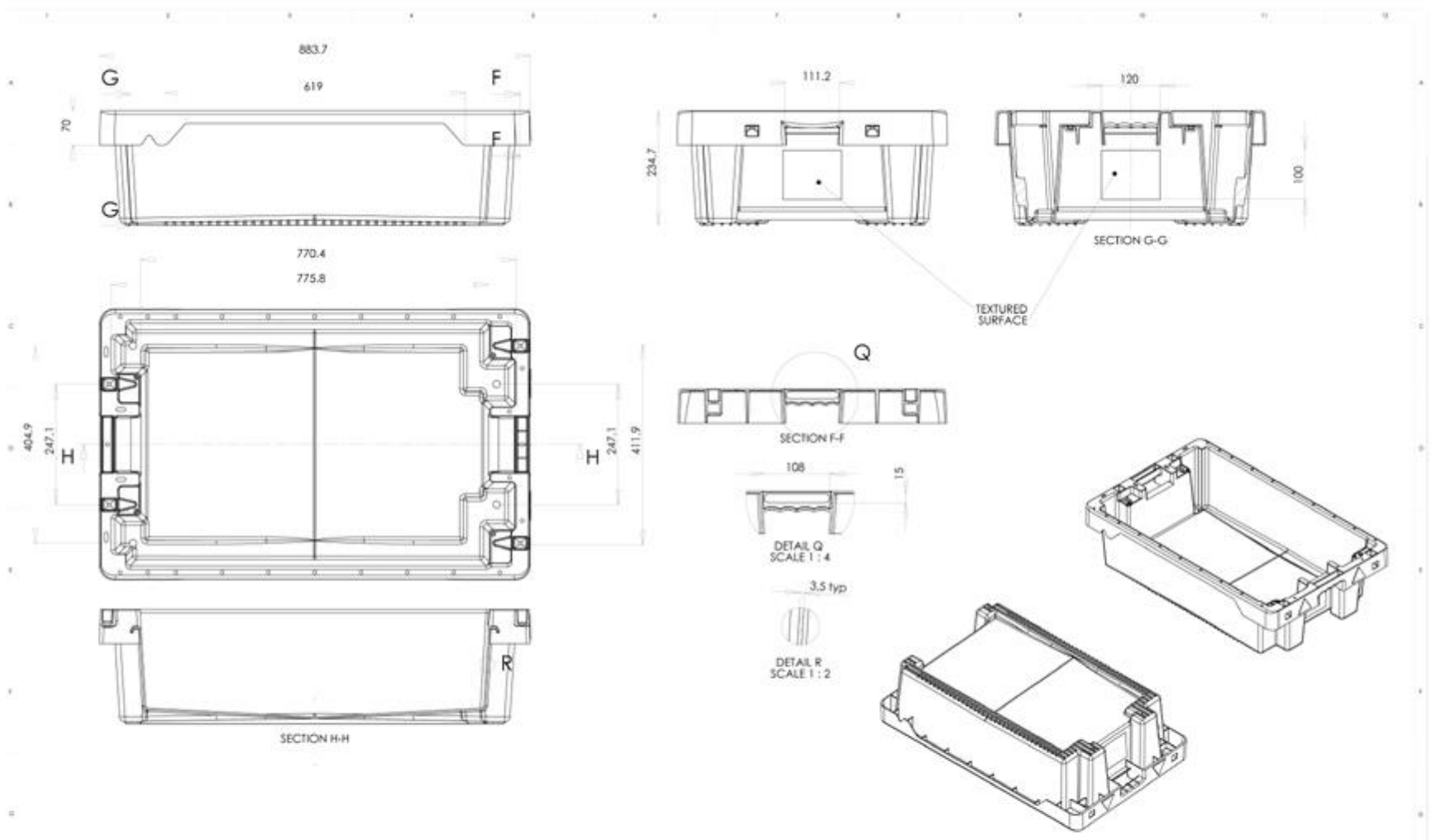


# Måleskitse konisk kasse



**P.K. Design**  
 Tel : 972 3 6209505  
 Fax : 972 3 5251777  
 e-mail : pkdesign@netvision.net.il

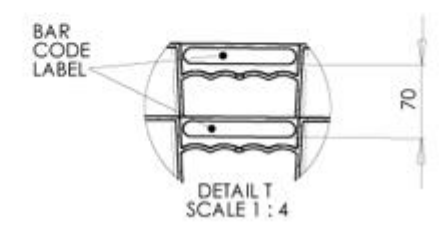
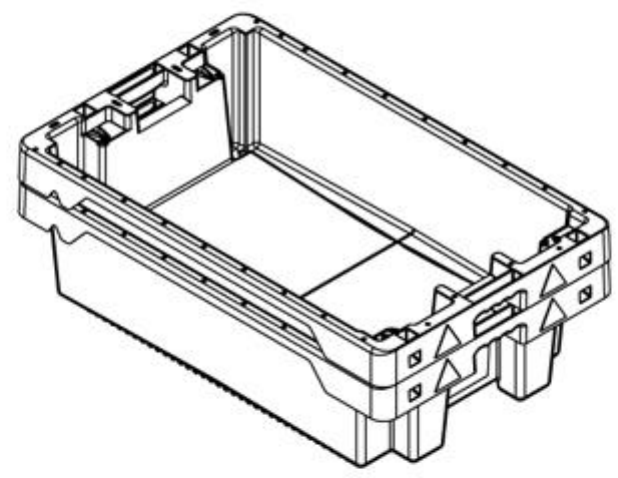
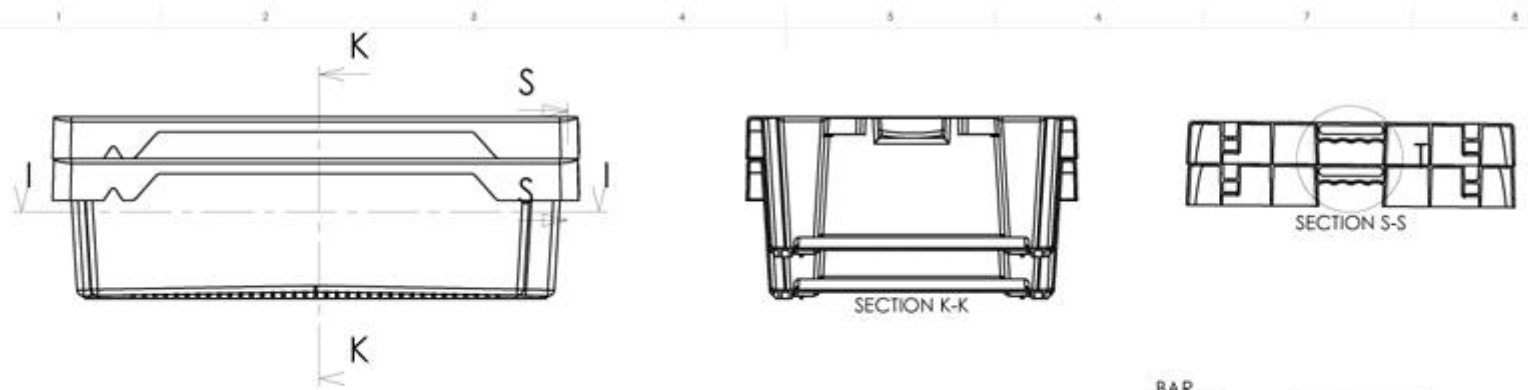
GENERAL TOLERANCES						ANGULAR
0-4	5-20	21-50	51-100	100-200	>200	±0.5°
±0.10	±0.15	±0.20	±0.3	±0.4	±0.5	±0.5°

Part Name: Nesting Box

SURFACE: FINISH

DIMENSION IN MM  
 DO NOT SCALE DWG.

Scale: A2



**P.K. Design**  
 Tel : 972 3 6209505  
 Fax : 972 3 5251777  
 e-mail : [pkdesign@netvision.net.il](mailto:pkdesign@netvision.net.il)

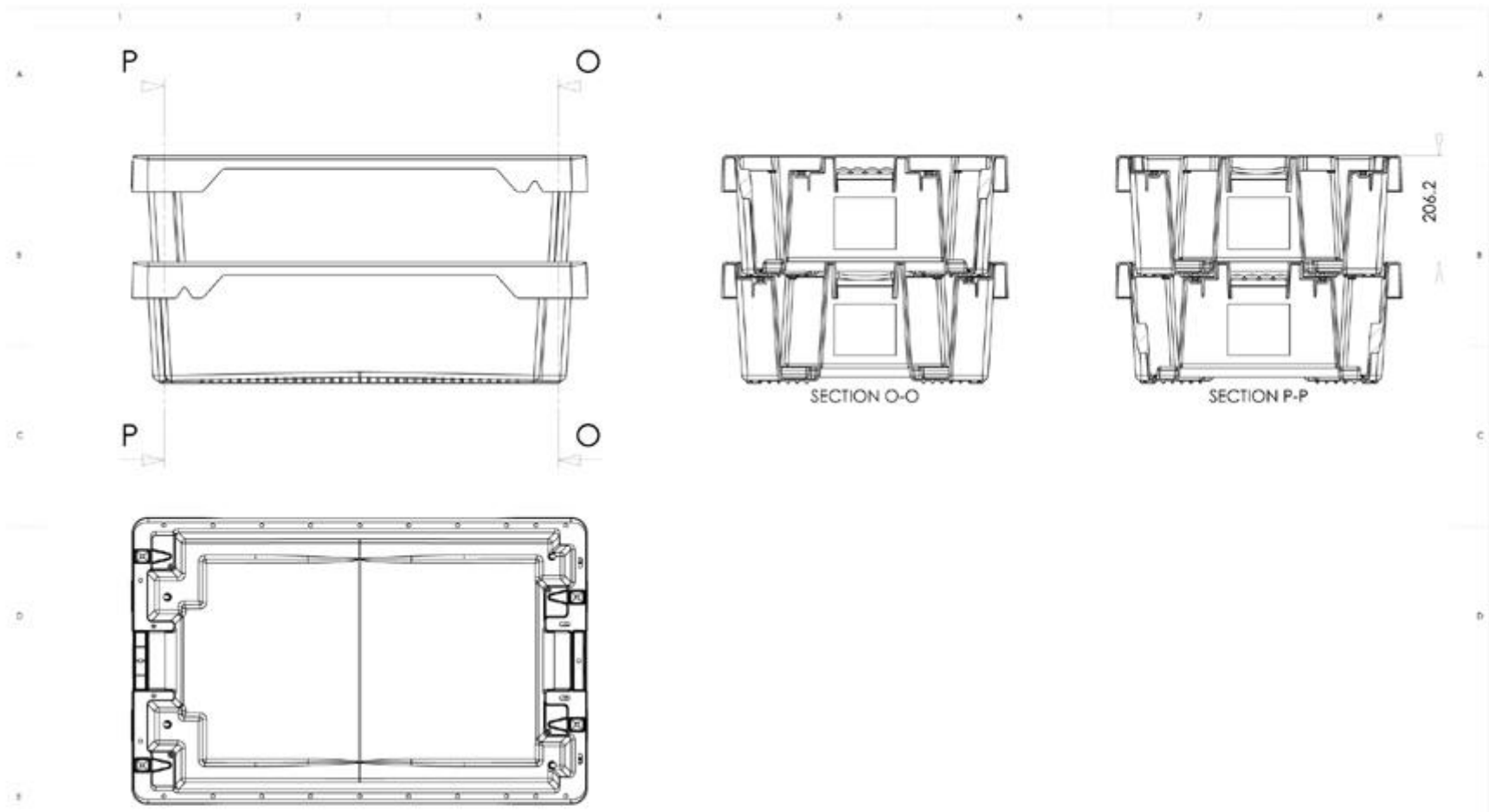
GENERAL TOLERANCES						ANGULAR
0 - 6	6 - 22	22 - 53	53 - 120	120 - 250	>250	±0.3°
±0.10	±0.15	±0.25	±0.5	±0.9	±1.15/2	

FILE NAME: \_\_\_\_\_  
 SCALE: 1/7  
 REVISION: \_\_\_\_\_  
 SHEET 2 OF 3

**Nesting of nesting Box**

A3

SURFACE: \_\_\_\_\_  
 DIMENSION IN MM  
 DO NOT SCALE DWG.



**P.K. Design**

Tel : 972 3 6209505

Fax : 972 3 5251777

e-mail : [pkdesign@netvision.net.il](mailto:pkdesign@netvision.net.il)

	NAME	DATE/ISS	DATE
Design	Mot AL		04.12.05
Revision	AMB P.		04.12.05

SURFACE:  UNFINISHED

DIMENSION IN M.M.  
DO NOT SCALE DWG

**GENERAL TOLERANCES**

0-6	6-22	22-53	53-120	120-250	>250
±0.10	±0.15	±0.25	±0.5	±0.9	±1.5/2

ANGULAR  
±0.3°

**Stacking of Nesting Box**

No. name

A3

Scale: 1:1

REVISON

SHEET 3 OF 3